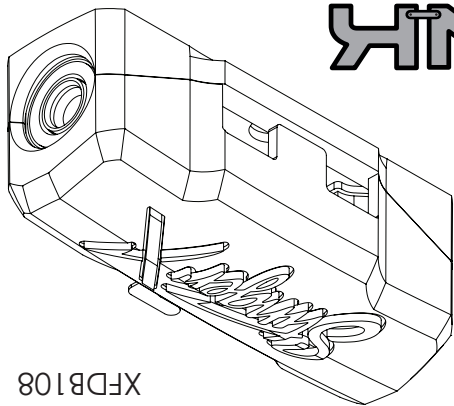


UNIVERSAL 0-8GA POWER OR GROUND LINKABLE FUSED DISTRIBUTION BLOCK



XFDB108



INSTALLATION GUIDE

WARNING!

- NEVER use the XLINK Jumpers in place of a fuse
- Cover any unused input with an Input Plug
- XLINK systems should not exceed 500 AMP in total fusing



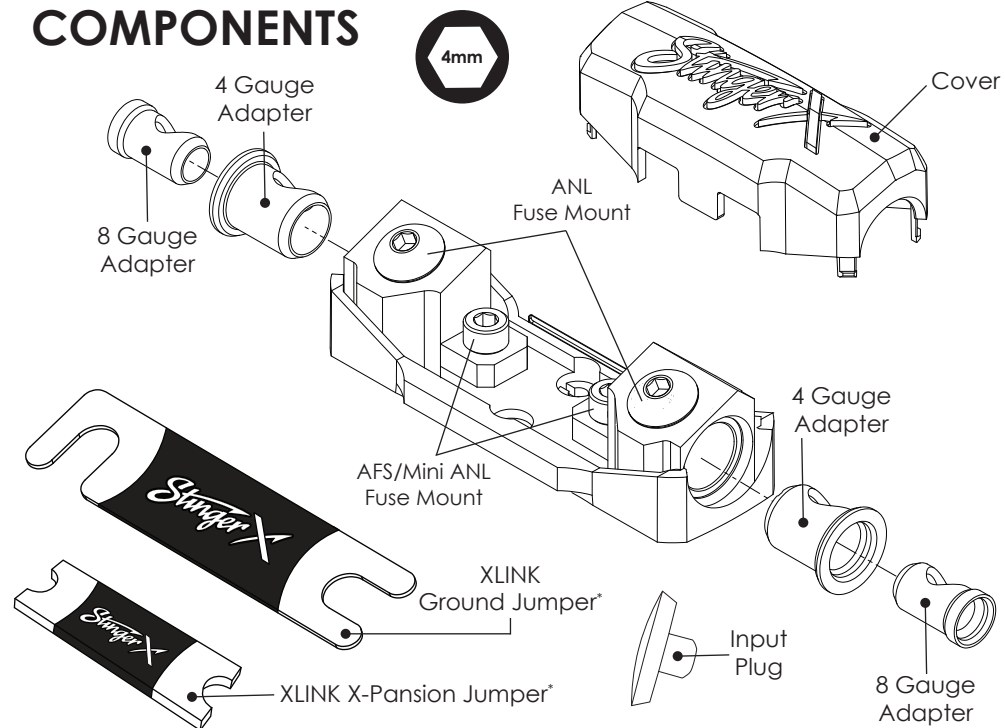
Stinger is a Power Brand of AAMP Global
 15500 Lightwave Drive, Suite 202
 Clearwater, Florida 33760

XFDB108 PATENT PENDING

Technical Support: 800-477-2267
 StingerElectronics.com
 support@stingerelectronics.com

© Copyright 2018

COMPONENTS

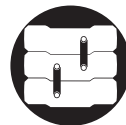
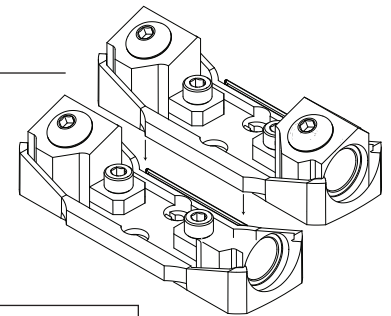


WARNING! NEVER use the XLINK jumpers in place of a fuse.

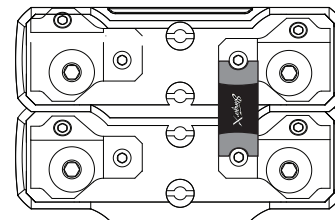
QUICK TIPS



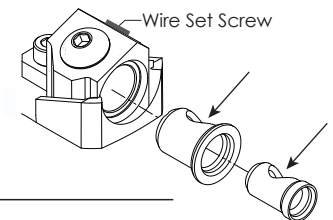
XLINK Interlocking Base
 To connect 2 or more XLINKs, align locking channel and press together.



XLINK X-Pansion Jumper
 Distribute power or ground across multiple XLINK blocks by connecting the X-Pansion jumper to input side of block. Connecting this way; if a single circuit blows a fuse, the XLINK block will continue providing to power to the other circuits.

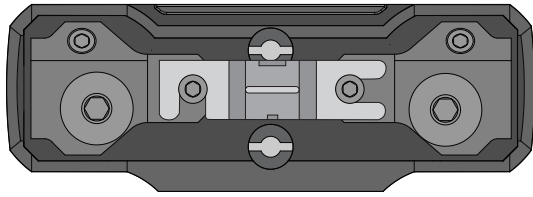


XLINK Gauge Adapters
 Convert to any combination of 0GA, 4GA or 8GA inputs and outputs. Make sure the adapter opening lines up with the wire set screw.



SINGLE BLOCK

Single **ANL** Fuse Holder
- 1/0GA, 4GA, 8GA Input/Output

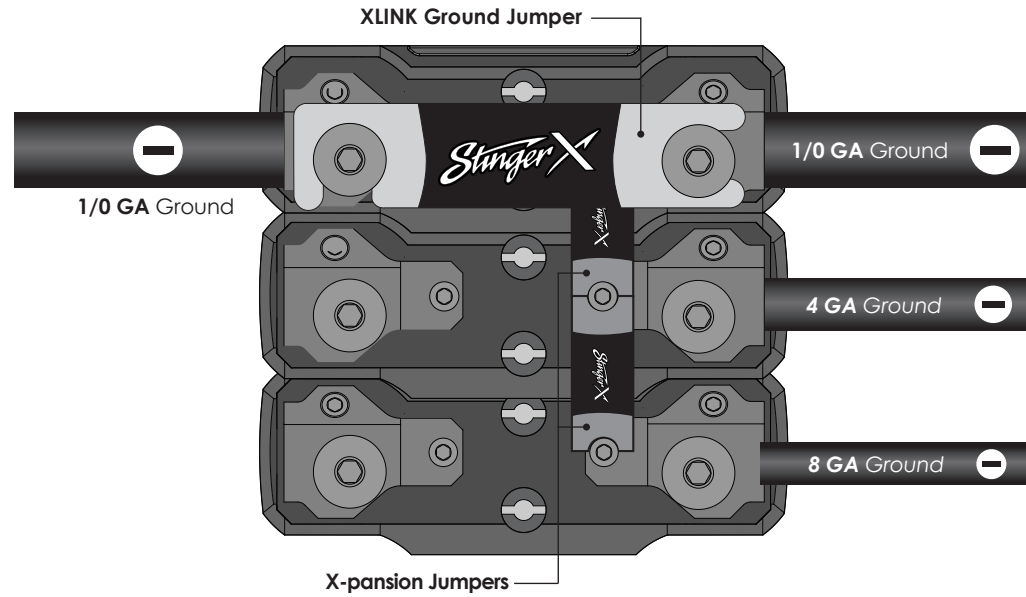


Single **AFS** Fuse Holder
- 1/0GA, 4GA, 8GA Input/Output

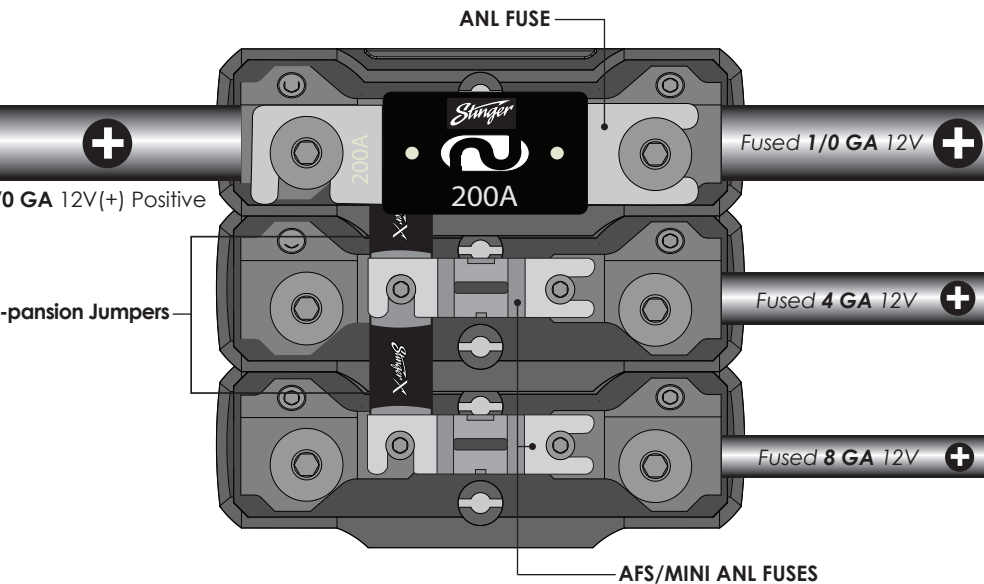


XLINK Ground Jumper
- 1/0GA, 4GA, 8GA Input/Output

GROUND BLOCK



POWER BLOCK



COMBO BLOCK

